

## Data sheet

### Cooled Incubator (ST) ST 700



The photo above is for reference only, may show additional options not included in standard equipment.  
The real appearance, particularly color and structure of the material may differ from the ones presented in the photo.

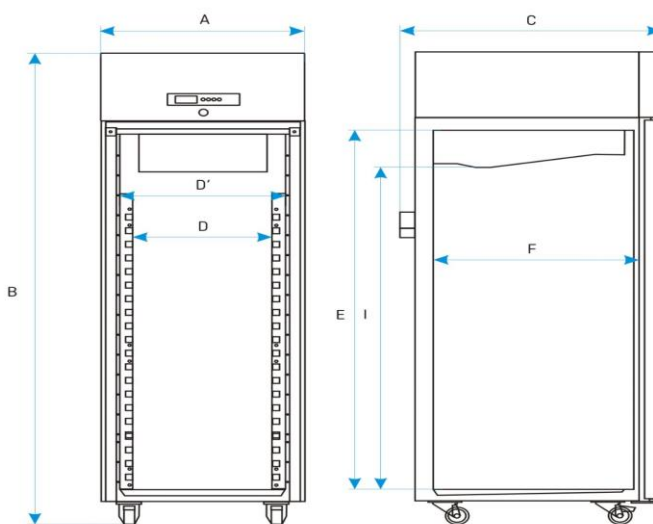
TECHNICAL DATA	
air convection	forced
chamber capacity [l]	625
working capacity [l]	499
controller	microprocessor with external LCD graphic display
TEMPERATURE	
temperature range [°C]	+3...+40 / +70 option) / +3...+70 in PREM TOP+
temperature resolution every ... [°C]	0,1
over temperature protection	class 1.0 to DIN 12880 / class 3.3 (option) / class 3.3 in PREM TOP+
CHAMBER	
door type	solid / glass or double (option) /1/
<b>interior</b>	
BASIC	aluminium
COMF	stainless steel to DIN 1.4016
COMF/S	stainless steel to DIN 1.4016
PREM (TOP+)	acid-proof stainless steel to DIN 1.4301
PREM/S (TOP+)	acid-proof stainless steel to DIN 1.4301
<b>housing</b>	
BASIC	powder coated sheet
COMF	powder coated sheet
COMF/S	stainless steel polished
PREM (TOP+)	powder coated sheet
PREM/S (TOP+)	stainless steel polished

**overall dims [mm] /2/**

width A	750
height B	1990
depth C	860

**internal dims [mm] /3/**

width D	540
width D'	600
height E	1510
depth F	680
depth F'	-
depth G	-
height H	-
height I	1360



shelves (standard / max)	3 / 11
max shelf workload [kg] /4/	30
- reinforced shelf version (PW) /5/	100
max unit workload [kg]	150
- reinforced unit version (W) /6/	-
weight [kg] /7/	115

**ELECTRICAL PARAMETERS**

voltage*	230V 50Hz
nominal power [W]	450
warranty	24 months
manufacturer	POL-EKO-APARATURA

all the above technical data refer to standard units (without optional accessories)

\* - 230V 60Hz, 115V 60Hz also available

1 - additional internal glass door

2 - ST/CHL 1-6 in TOP+ version are 60 mm higher, depth doesn't include 50 mm of power cable

3 - dims of units with double door can be smaller

4 - on uniformly loaded surface

5 - reinforced shelf

6 - reinforced version

7 - for BASIC version with solid door

8 - two columns with 3 shelves each

OPTIONS AND ACCESSORIES

