

Data sheet

Climatic Chamber KK 700



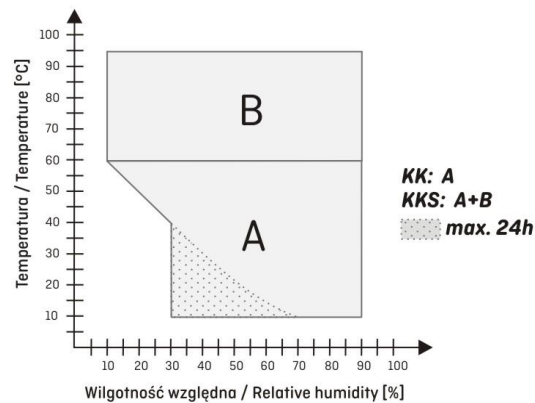
The photo above is for reference only, may show additional options not included in standard equipment.
The real appearance, particularly color and structure of the material may differ from the ones presented in the photo.

TECHNICAL DATA

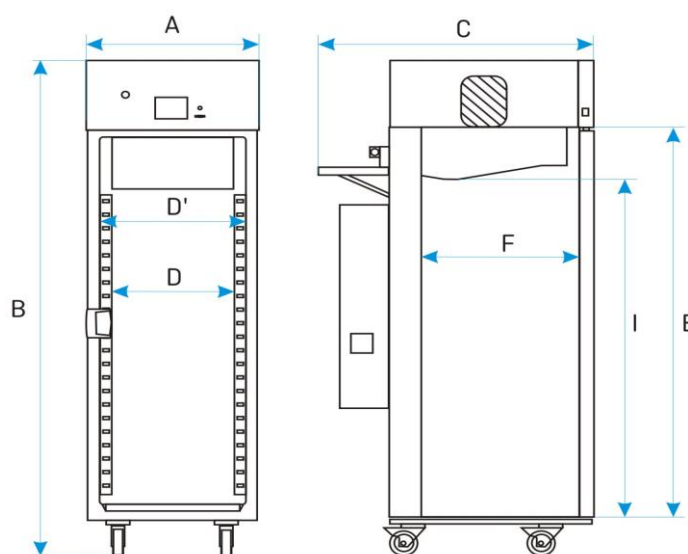
air convection	forced
chamber capacity [l]	600
working capacity [l]	485
controller	microprocessor with external LCD graphic display

TEMPERATURE AND HUMIDITY

temperature range [°C]	-10...+60 (with light on +10...+50)
temperature resolution every ... [°C]	0,1
relative humidity range [%]	30...90 (see chart for details)
humidity resolution every ... [%]	1,0
over temperature protection	class 3.3 to DIN 12880



CHAMBER	
door type	double (external solid, internal glass) / external glass (option)
interior	
STD	acid-proof stainless steel to DIN 1.4301
INOX/G	acid-proof stainless steel to DIN 1.4301
housing	
STD	powder coated sheet
INOX/G	stainless steel linen finish
overall dims [mm] /2/	
width A	740
height B	1990
depth C	1070
internal dims [mm]	
width D	540
width D'	600
height E	1510
depth F	660
height I	1360



shelves (standard / max)	3 / 11
max shelf workload [kg] /2/	30
- reinforced shelf version (PW) /3/	100
max unit workload [kg]	150
weight [kg]	170

ELECTRICAL PARAMETERS

voltage*	230V 50Hz
nominal power [W]	1850
warranty	24 months
manufacturer	POL-EKO-APARATURA

all the above technical data refer to standard units (without optional accessories)

* - 230V 60Hz, 115V 60Hz also available

1 - external dimensions for units without FIT option, depth doesn't include 50 mm of power cable

2 - on uniformly loaded surface

3 - reinforced shelf

OPTIONS AND ACCESSORIES

