

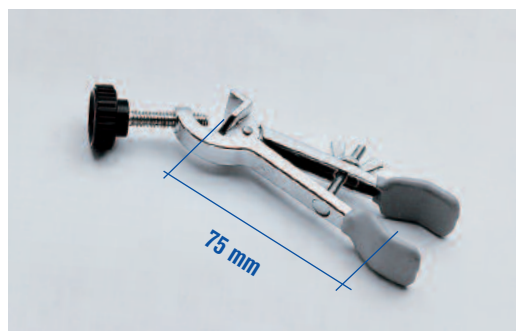


CLAMP FOR BURETTES AND TUBES

Made of chrome plated metal with two prong jaws coated in PVC.

For Ø from 7 to 25 mm.

Part No. **7000130**

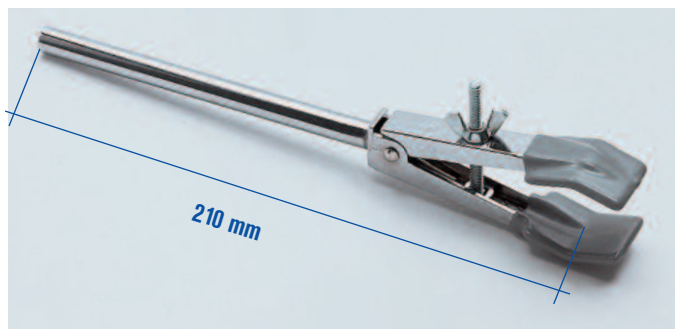


BOSSHEAD WITH BURETTE AND TUBE CLAMP

Made of chrome plated metal with PVC coated double prong jaws.

For Ø from 7 to 25 mm.

Part No. **7000140**

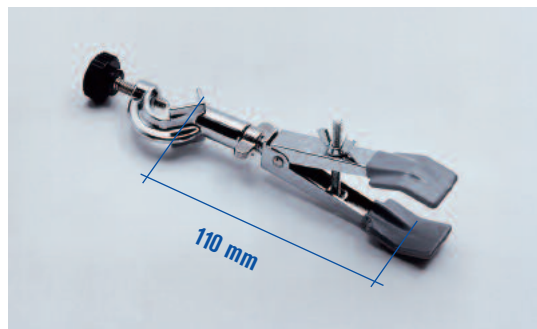


CLAMP FOR BURETTES AND CONDENSERS

Made of chrome plated metal with PVC coated jaws.

For Ø from 12 to 45 mm.

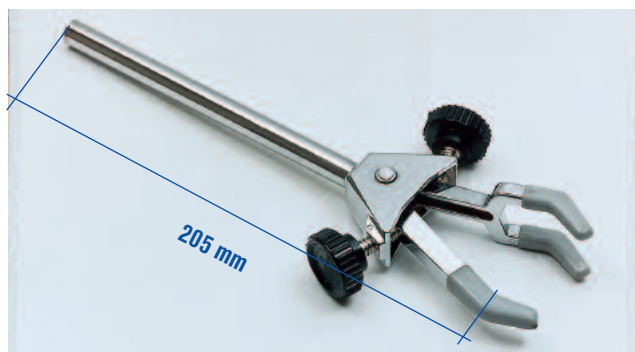
Part No. **7000131**



SWIVEL CLAMP BOSSHEAD FOR CONDENSERS

Swivel clamp with double PVC lined jaws For Ø from 12 to 45 mm.

Part No. **7000141**

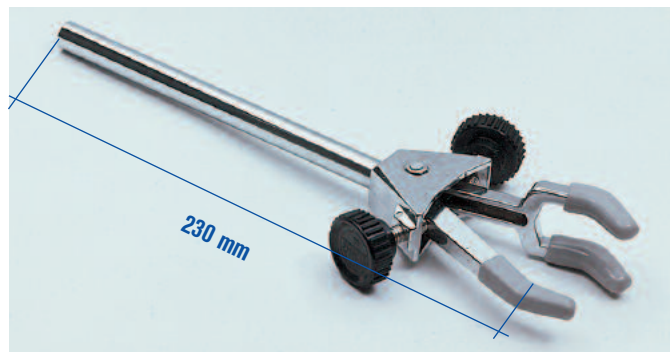


CLAMP "TRIPLEX"

Three pronged PVC coated clamp made of chrome plated metal.

For Ø from 0 to 35 mm.

Part No. **7000160**

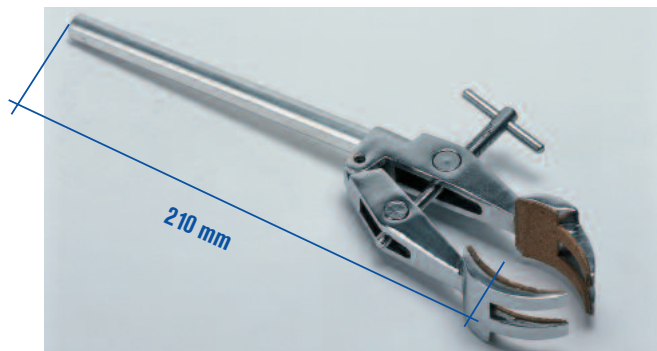


CLAMP "TRIPLEX"

Three pronged PVC coated clamp made of chrome plated metal.

For Ø from 0 to 60 mm.

Part No. **7000161**

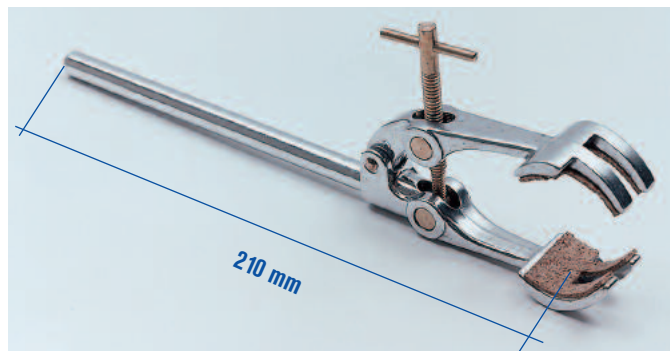


UNIVERSAL CLAMP "MINIMAX CROM"

Chrome plated with cork protected jaws.

For Ø from 0 to 80 mm.

Part No. **1001463**



UNIVERSAL CLAMP "MINIMAX"

Made of Dur-aluminium with cork lined jaws.

For Ø from 0 to 80 mm.

Part No. **7000403**

